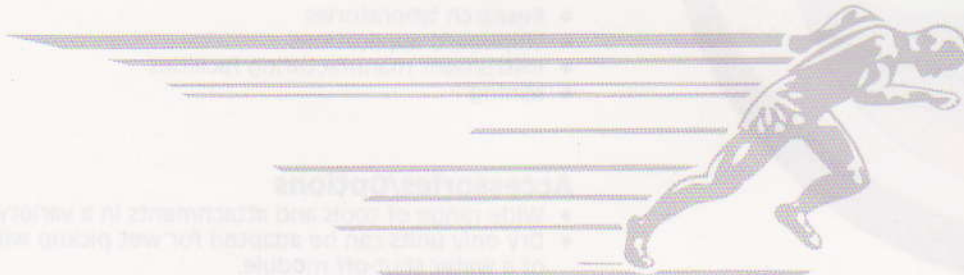


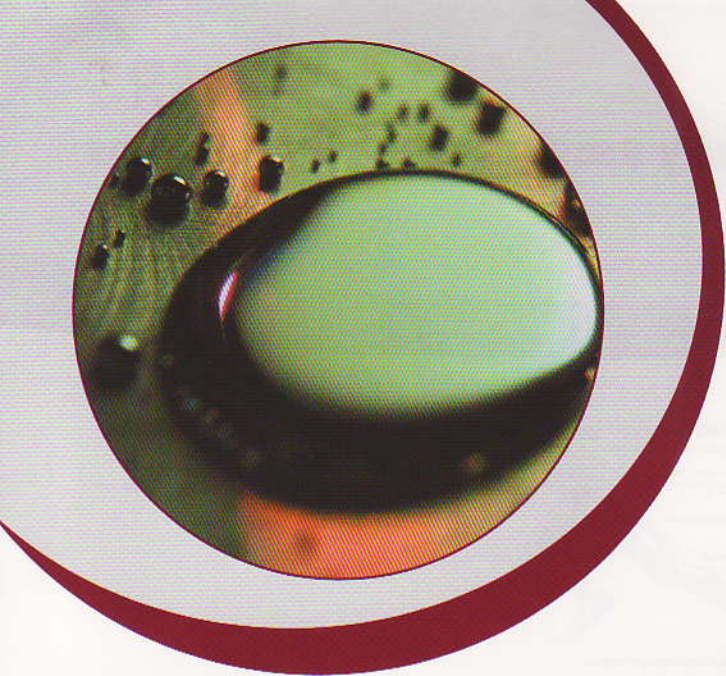
MRS

Mercury Recovery Vacuum Systems



Minuteman[®]

The Company the World's Cleaning Professionals Rely On
www.minutemanintl.com



Key Features

- Extremely portable, highly maneuverable
- U.L.P.A. filters are 99.999% effective at 0.12 microns
- Each model contains a large capacity activated carbon filter
- Unique modular 4-element system that allows user-tailoring to fit almost any need
- Tool kit, which will handle most clean-up jobs, is included

Markets/ Applications

- Technical laboratories
- Medical and dental labs
- Control rooms
- Dental offices
- Research laboratories
- Shipboard applications
- Instrument manufacturing facilities
- Mining

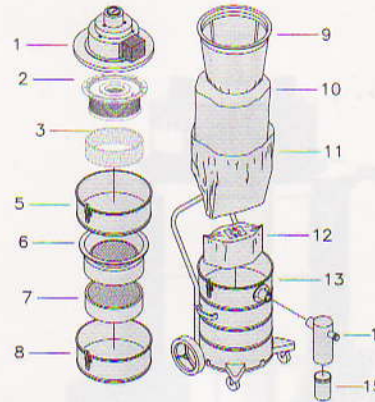
Accessories/Options

- Wide range of tools and attachments in a variety of sizes.
- Dry only units can be adapted for wet pickup with the addition of a water shut-off module.
- Complete line of filters and collection bags available

General Overview

- Allows for safe, affordable clean-up of liquid mercury and mercury contaminated soil and air
- Mercury Recovery Vacuum System can be tailored to fit almost any particular need
- MRS 1,2,3 and 4 are available with painted or stainless steel 15 gallon tanks
- MRS6 Maxi-Guard II is a small, portable 6 gallon vacuum
- All units feature a 115v or 220v AC/DC air-cooled motor
- U.L.P.A. filtration meets or exceeds the IEST-RP-CC0007 specifications

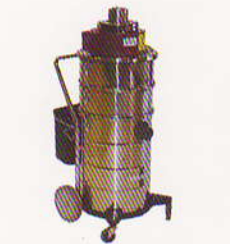
Filter System - MRS 3



1. Lid Assembly
2. U.L.P.A. Filter Module
3. Pre Filter
5. Adapter
6. Filter Holder
7. Mercury Vapor Canister
8. Adapter
9. Cloth Bag Assembly
10. Dacron Filter
11. Filter Protector
12. Disposable Paper Bag
13. Tank 15 Gallon
14. Separator
15. Separator Jar



MRS 1 - for liquid mercury recovery (Includes Separator)



MRS 2 - for recovery of mercury contaminated dust (With U.L.P.A.)



MRS6 (Maxi-Guard II) a small, lightweight unit for emergency mercury cleanup (Dry Only)



MRS 4 - for recovery of mercury contaminated liquids (Wet Only)



MRS 3- for pickup of liquid mercury and mercury contaminated particulate matter (Includes U.L.P.A. and Separator Jar)

Specifications	MRS1	MRS2	MRS3	MRS4	MRS6
Model Number	MRS1	MRS2	MRS3	MRS4	MRS6
Static Lift	110"(2,794mm)	110"(2,794mm)	110"(2,794mm)	110"(2,794mm)	88"(2,159mm)
Airflow	115CFM(3.25m ³ /min)	115CFM(3.25m ³ /min)	115CFM(3.25m ³ /min)	115CFM(3.25m ³ /min)	95CFM(2.7m ³ /min)
Power (watts)	1480	1480	1480	1480	1480
Cord	16-3/50'(15m)	16-3/50'(15m)	16-3/50'(15m)	16-3/50'(15m)	16-3/50'(15m)
Wet Capacity	N/A	N/A	N/A	10gal(38ltr)	N/A
Dry Capacity	.82 cu ft(.02m ³ /min)	.82 cu ft(.02m ³ /min)	.82 cu ft(.02m ³ /min)	2.1 cu ft(.05m ³ /min)	.62 cu ft(.02m ³ /min)
Filter Area	3,234sq in(20,864cm ²)	3,234sq in(20,864cm ²)	4,400sq in(28,387cm ²)	N/A	552sq in(3,561cm ²)
Height	41"(104cm)	46"(116cm)	46"(116cm)	46"(116cm)	25"(63cm)
Width	21"(53cm)	21"(53cm)	21"(53cm)	21"(53cm)	21"(53cm)
Voltage	115 (220)	115 (220)	115 (220)	115 (220)	115 (220)
Wheel Size -Front	3" (8cm)	3" (8cm)	3" (8cm)	3" (8cm)	Optional
Wheel Size - Rear	8" (20cm)	8" (20cm)	8" (20cm)	8" (20cm)	Optional
Wet/Dry	N/A	N/A	N/A	YES	N/A
Weight	62lbs(28kg)	73lbs(33kg)	78lbs(35.5kg)	70lbs(31.5kg)	24.5lbs(11kg)

Specifications subject to change without notice.

Minuteman International Inc
 A Member of the Hako Group of Companies
 111 S. Rohlwing Road
 Addison, IL 60101
 Phone: (630) 627-6900
 Fax: (630) 627-1130

Minuteman Canada
 2210 Drew Road
 Mississauga, Ontario,
 Canada, L5S 1B1
 Phone: (905) 673-3222
 Fax: (905) 673-5161

Come Visit our Website at
www.minutemanintl.com

Minuteman is a full line manufacturer of maintenance products including critical filter vacuums, industrial and commercial vacuums, sweepers, scrubbers, floor and carpet machines, PowerBoss® sweepers and scrubbers, Parker® Litter Vacs and Multi-Clean® Chemicals for industrial, commercial, and institutional facilities.