



**Parts and Instruction Manual
X705 Air Operated U.L.P.A.
6 Gallon Vacuum**

Technical Specifications

Model	C87506-01
Tank Size	6 gal.
Tank Type	Stainless Steel
Wet Capacity	3.5 gal
Dry Capacity	.46 cu ft
Filtration	.12 micron @ 99.999% efficiency
Static Lift (Max)	180"
Air Flow	166 CFM
Air Line Diameter	1/2" ID
Max. Airline Pressure	100 PSI Max
Input Air Requirement	37 CFM
Venturi	Single Jet
Hose Connection	Coupler
Weight	27 lbs

Table of Contents

TECHNICAL SPECIFICATIONS	2
OPERATING INSTRUCTIONS	4
INSPECTION.....	4
SPECIAL WARNING	4
AIR PRESSURE AND C.F.M. VOLUME REQUIRED	4
MAINTENANCE AND USAGE	4
OPERATION	4
ASSEMBLY INSTRUCTIONS	5
CLEANING AND EMPTYING INSTRUCTIONS	5
OVERVIEW	7
EXPLODED VIEWS	8
LID ASSEMBLY	8
TANK ASSEMBLY	10
NOTES	12
WARRANTY	14

**MODEL X705-6 AIR OPERATED VACUUM. DRY RECOVERY ONLY.
EQUIPPED WITH U.L.P.A. FILTER 99.99 EFFICIENT AT 0.12 MICRONS**

OPERATING INSTRUCTIONS

INSPECTION

Carefully unpack and inspect your machine for shipping damage. Each unit is tested and thoroughly inspected before shipment, therefore, any damage is the responsibility of the delivering carrier who should be notified. Read all instructions carefully before operating.

SPECIAL WARNING

Air operated equipment can generate static electricity during use. Static dissipating arcing can be generated and occur if equipment and accessories are not grounded. Risk of explosion is possible if operated near explosive materials or vapors. Do not operate this equipment near flammable materials such as solvents, thinners, fuels, grain dust, etc.

AIR PRESSURE AND C.F.M. VOLUME REQUIRED

For maximum performance, operate with 1/2" air pressure line, 80 PSI (max, 100 PSI) and 37 input C.F.M. Air pressure control valve can be regulated to operate with lower pressure and C.F.M. when maximum is not required.

MAINTENANCE AND USAGE

Air supplied to vacuum must be clean and dry to avoid contamination, and to maintain optimum performance.

Empty tank, clean filter bag, and replace disposable filters regularly. Clogged filters restrict air flow , and results in reduced vacuum performance.

Always shut off main air supply, and open air valve at vacuum, to relieve pressure before disconnecting air pressure line.

OPERATION

Your Minuteman vacuum has been specifically designed to clean up ultra fine hazardous toxic dust maerials. Special filters reduce the incidence of air-borne dust that would be created by any other method of cleaning.

During the cleanup of toxic dry materials, do not sweep, scoop, shovel, or in any manner handle other than by vacuuming.

Do not at any time attempt to bypass, remove, substitute, or by any other means change the type of filters used in this vacuum. Use only approved Minuteman vacuum filters and filter bags.

Before attempting to use, and before cleaning, be certain that you fully understand the instructions given for the setting up and cleaning/changing of filters of this vacuum.

Since each facility has its own individual and unique cleaning problems, it is suggested that you use the following guidelines in determining the length of time between filter changes or cleaning the vacuum tank.

ASSEMBLY INSTRUCTIONS

1. Carefully open the folds of the disposable collector bag #7 and insert into tank.
2. Place the cardboard collar onto the intake tube and carefully pull the collar over the tube until the rubber gasket is past the ring on the end of the tube.
3. Take the paper filter protector #5 and insert into tank. Snap the elastic band around the rim of the tank. Allow two inches to overlap the tank rim.
4. Place cloth filter bag assembly #4 into tank. Center frame of filter around tank rim.
5. Place bag frame #6 with ring down into filter bag.
6. Turn vacuum lid assembly #1 upside down on worktable. Center one pink impaction filter cartridge #2 onto U.L.P.A. filter.
7. Place vacuum lid assembly #1 onto tank #6, center and fasten lid latches.

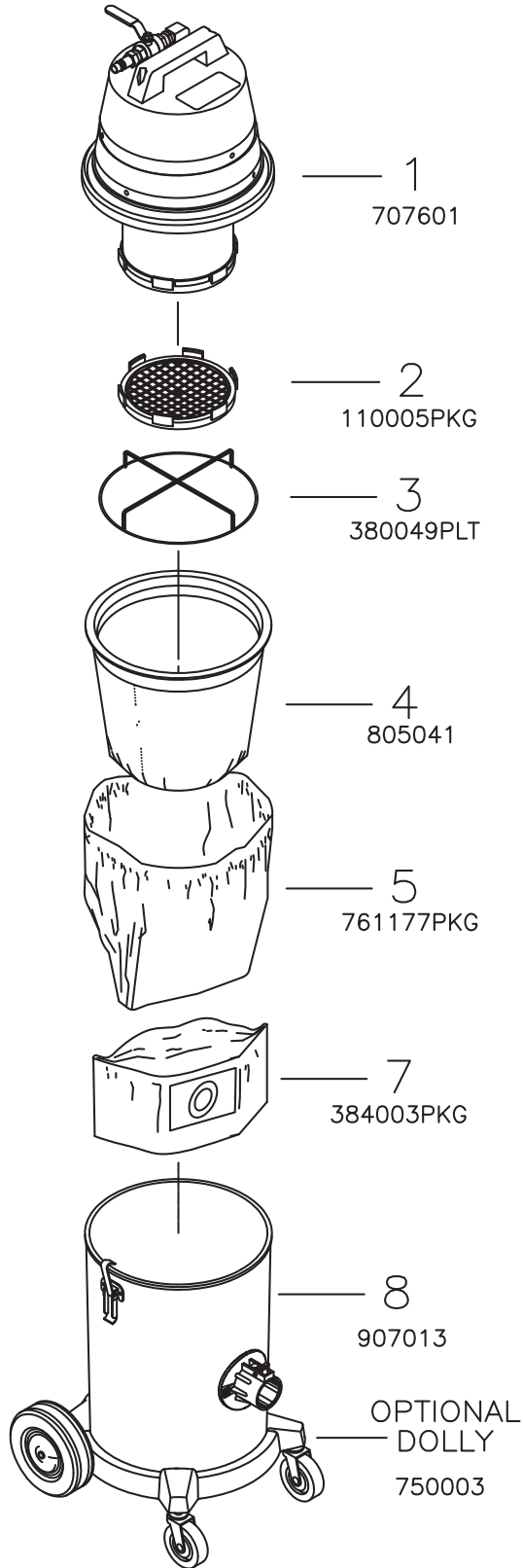
CLEANING AND EMPTYING INSTRUCTIONS

For the benefit of your health, you should always wear a face mask and protective clothing approved and recommended by your Safety Department for the particular hazardous waste material you are working with. Check with your Safety Department or Industrial Hygienist for their instructions before attempting to clean out vacuum.

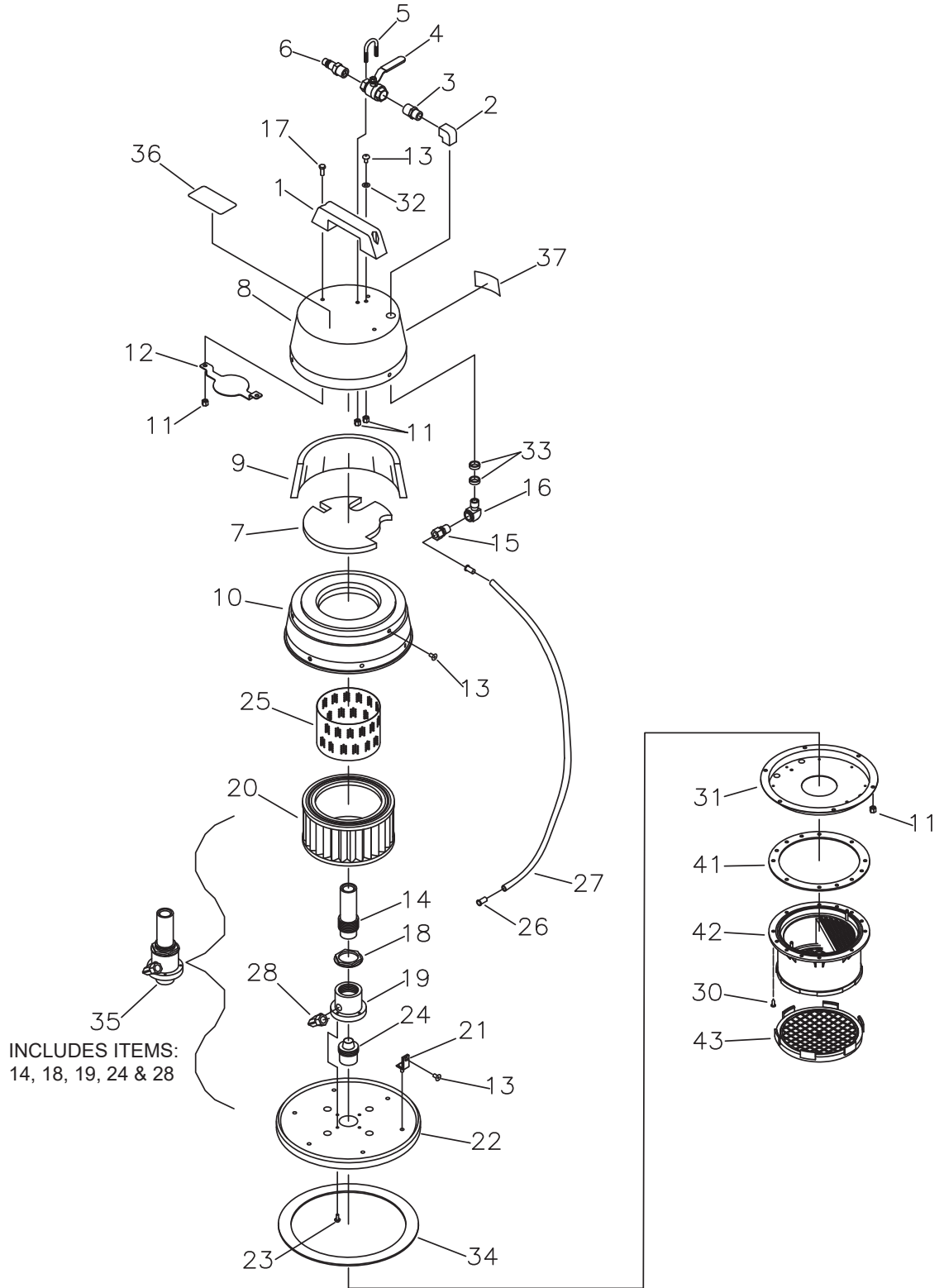
1. Shut off main air pressure valve feeding air to vacuum. Open air valve on vacuum lid to relieve pressure on line. If equipped with quick coupler, disconnect air pressure line.
2. Carefully, and very slowly, remove vacuum lid only. (Be sure you have not accidentally lifted the cloth filter bag at the same time.) Set lid assembly aside.
3. Remove cloth filter bag with bag frame. Check for residue on bag. If required, vacuum clean only. Do not shake bag in open atmosphere.

4. Carefully undo the elastic band on the filter protector bag, fold in, and place this filter into proper disposal container.
5. Reach into tank and gently push the collar of filter bag off the tube, seal bag opening with 2" wide duct tape, and carefully remove collector bag into proper disposal container.
6. Using a wiping cloth dampened with water (not woking wet), wipe down all of the exposed surfaces inside the tank; put all wiping material into disposal container.
7. Check pink impaction filter in U.L.P.A. filter. If impact filter shows discoloration due to dust penetration, remove and place in disposal container.
8. Visually check U.L.P.A. filter. If filter shows signs of dust penetration, revise cleaning and filter change procedure to be done more frequently. Be absolutely sure all filters and prefilters are always used and installed properly.
9. **CAUTION:** Hazardous material must be disposed of properly. Never throw contaminated debris into your usual trash receptacle. Check with your Safety Department or Industrial Hygienist for final disposal requirements.
10. Follow assembly procedure.

OVERVIEW



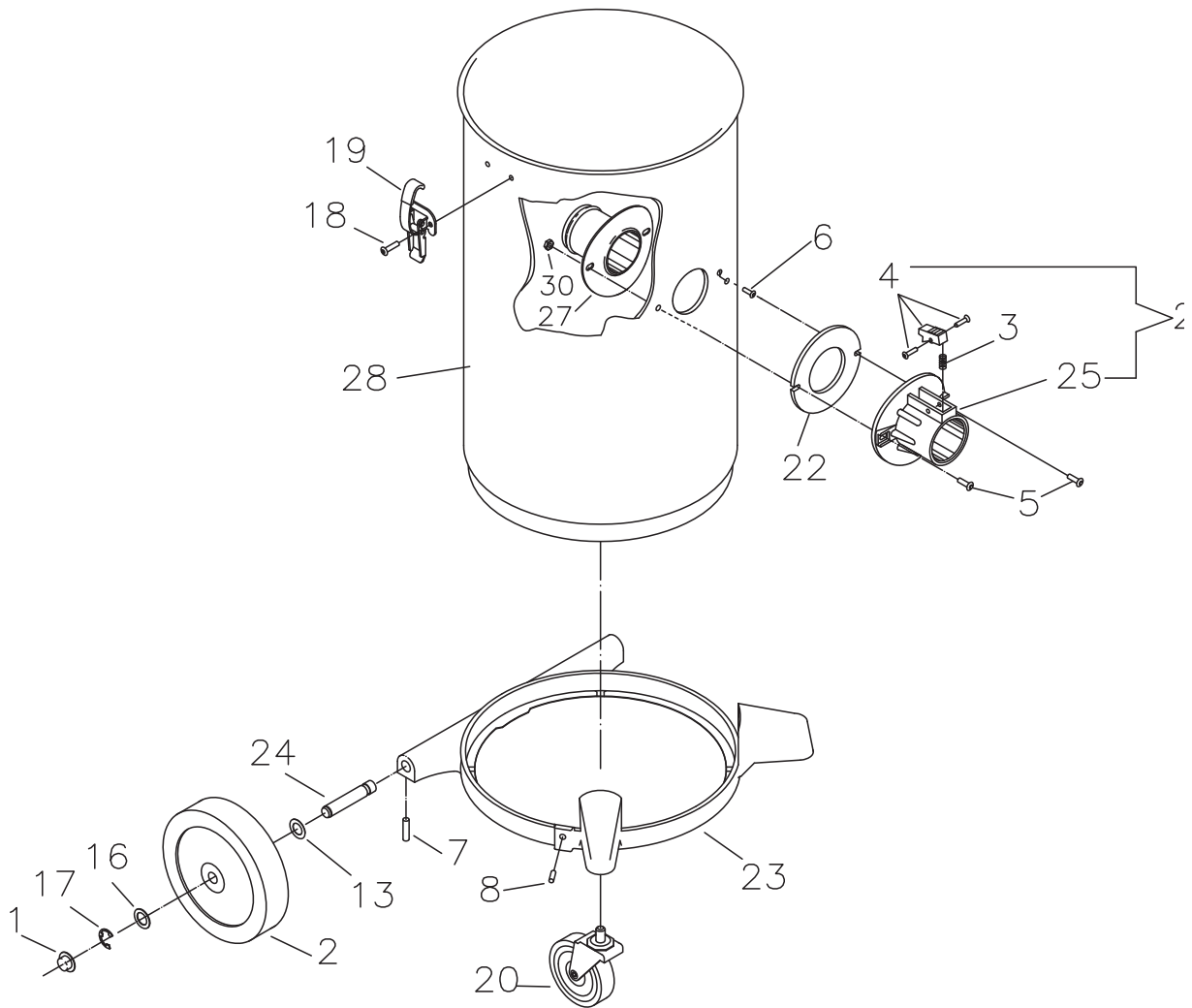
LID ASSEMBLY



LID ASSEMBLY BOM

BILL OF MATERIAL - 707601			
ITEM	PART NO.	QTY	DESCRIPTION
1	460001	1	HANDLE BASIC 460 BLACK
2	700028	1	FTG-ELBOW 90 ST 3/8 FPT X 3/8 FPT BRASS
3	420017	1	FITTING-NIPPLE HEX REDUCER 112RFE
4	712105	1	BLT-U 1/4-20
5	701009	1	VALVE-.50
6	701010	1	COUPLER-MALE .50
7	700033	1	DOME FELT
8	700031PTD	1	TOP COVER PTD
9	700032	1	FELT LINER
10	700030PTD	1	FILTER COVER PTD
11	712667	15	NUT-NYLOC 1/4-20 SS
12	700034	1	AIR DEFLECTOR 18GA
13	710178	10	SCR-THMS 1/4-20 X .50 ZP
14	700012	1	VENTURI EXHAUST TUBE
15	420008	1	FTG-COMPRESSION 1/2 OD X 3/8 MPT
16	830062	1	FTG-ELBOW 90 3/8 MPT X 3/8 FPT BRASS
17	713002	2	SCR-HH 1/4-20 X .75 ZP 5
18	700014	1	VENTURI LOCNUT
19	700011	1	VENTURI HOUSING
20	700037	1	FILTER-EXHAUST
21	832106	6	BRKT-MOUNTING TAB
22	700029PTD	1	4/6 GAL. BOTTOM PAN PTD
23	712536	4	SCR-THMS 10-24 X .62 SS
24	700013	1	VENTURI INTAKE
25	700038	1	PERFORATED SHIELD
26	420011	2	FTG-COMPRESSION 1/2 HOSE INSERT
27	700020	1	POLY HOSE 20" LONG
28	420009	1	FITTING-ELBOW MALE 469F
30	711106	8	SCR-PHSMS 10 X .75 ZP A POINT
31	700041	1	HEPA MTG PLATE 110004
32	711505	1	WASHER-FLAT 1/4 ZP
33	829285PLT	2	SPACER-.25 X .875 X .687 PLATED
34	290031	1	LID GASKET 294/6 DIECUT
35	700010	1	SINGLE VENTURI ASSY
36	715003	1	DECAL-AIR PRES 2.00 X 4.00
37	715029	1	DECAL-NAME PLATE MODEL ID
41	700043	1	FILTER GASKET
42	110029	1	FILTER-ULPA, X829 SERIES
43	110030PKG	1	PREFILTER SLEEVE, 829/839, PKG OF 6

TANK ASSEMBLY



TANK ASSEMBLY BOM

BILL OF MATERIAL - 907013			
ITEM	PART NO.	QTY	DESCRIPTION
1	130032	2	CAP, RETAINER
2	760083	2	WHEEL-6" 6-105 .5 ID
3	390002	1	SPRING-RETURN (390001)
4	390001	1	MLDED TRIGGER W/ 2 PINS
5	712824	2	SCR-THMS 10-24 X .75 ZP
6	710530	1	SCR-FHMS 8-32 X .50 BRASS
7	711005	4	SCR-SET 1/4-20 X .31 BLK OX CP
8	711006	3	SCR-SET 1/4-20 X .62 BLK OX CP
13	711503	2	WASHER-FLAT #10 X .50 ZP
16	711594	2	WASHER-FLAT .56 X .88 X .03 NICKEL
17	711713	2	RET RING-E EXT .50
18	711915	4	RIVET-TUBE 3/16X.28
19	761054	2	LATCH
20	280016	2	CASTER-3" W/ 3/8 X 5/8 STEM
22	390087	1	GASKET DIECUT VNN
23	900055PTD	1	BRKT-WHEEL 4/6 GAL
24	900066	2	AXLE
25	390101	1	CAST ALUMINUM INTAKE-REPLACE W/ 390110 C
26	390110	1	INTAKE ASSEMBLY ALUMINUM
27	750118	1	INTAKE ASSY TUBE 4/6 GAL
28	900093	1	TANK 6 GAL SS LO/INTAKE
30	712638	2	NUT-NYLOC 10-24 SS
***	805041	1	CLOTH BG ASSY, 6G
***	761177PKG	1	BAG, FILTER PROTECTOR 4/6G PKG 10
***	384003PKG	1	BAG, PAPER 380-4/6 PKG 10
***	380049PLT	1	FRAME,DUST BAG PLATED

Notes



Minuteman International Made Simple Commercial Limited Warranty

REVISION P EFFECTIVE 5/1/2017

Minuteman International, Inc. warrants to the original purchaser/user that the product is free from defects in workmanship and materials under normal use. Minuteman will, at its option, repair or replace without charge, parts that fail under normal use and service when operated and maintained in accordance with the applicable operation and instruction manuals. All warranty claims must be submitted through and approved by factory authorized repair stations.

This warranty does not apply to normal wear, or to items whose life is dependent on their use and care, such as belts, cords, switches, hoses, rubber parts, brushes, electrical motor components or adjustments. Parts manufactured by Minuteman are covered by and subject to the warranties and/or guarantees of their manufacturers. Please contact Minuteman for procedures in warranty claims against these manufacturers.

Special warning to purchaser -- Use of replacement filters and/or pre-filters not manufactured by Minuteman or its designated licensees, will void all warranties expressed or implied. A potential health hazard exists without original equipment replacement.

All warranted items become the sole property of Minuteman or its original manufacturer, whichever the case may be.

Minuteman disclaims any implied warranty, including the warranty of merchantability and the warranty of fitness for a particular purpose. Minuteman assumes no responsibility for any special, incidental or consequential damages.

This limited warranty is applicable only in the U.S.A. and Canada, and is extended only to the original user/purchaser of this product. Customers outside the U.S.A. and Canada should contact their local distributor for export warranty policies. Minuteman is not responsible for costs or repairs performed by persons other than those specifically authorized by Minuteman. This warranty does not apply to damage from transportation, alterations by unauthorized persons, misuse or abuse of the equipment, use of non-compatible chemicals, or damage to property, or loss of income due to malfunctions of the product.

If a difficulty develops with this machine, you should contact the dealer from whom it was purchased.

This warranty gives you specific legal rights, and you may have other rights which vary from state to state. Some states do not allow the exclusion or limitation of special, incidental or consequential damages, or limitations on how long an implied warranty lasts, so the above exclusions and limitations may not apply to you.

Model	Parts	Labor	Poly	Travel**
Cord Electric Group	5yrs	3yrs	12yrs	90 days
Battery Auto Scrubbers (incl. on board charger)	5yrs	3yrs	12yrs	90 days
Battery and Manual Sweepers	3yrs	3yrs	12yrs	90 days


Exceptions.....

Model	Parts	Labor	Poly	Travel**
Port A Scrub, all models (incl. on board charger)	1yr	6months	12yrs	90 days
A3S Blower	1yr	1yr	0	0
Phenom Dual Motor Upright Vacuums	2yrs	2yrs	0	0
Explosion Proof Vacuum	1yr	1yr	0	0
Propane Burnisher	1yr	1yr	0	90 days
E14BQP and E14115 scrubber	1yr	1yr	12yrs	90 days
**Travel, 2 hours max				

<i>Stand-alone Battery Chargers:</i>	One year
<i>Replacement Parts:</i>	Ninety days
<i>Batteries:</i>	0-3 months full replacement, 4-12 months pro-rate
<i>Polypropylene Plastic Tanks:</i>	12yr warranty, no additional labor

“Excellence Meets Clean”

**Minuteman is a Full Line Manufacturer of Sweepers and Scrubbers,
for Industrial Facilities.**



14N845 U.S. Route 20, Pingree Grove, IL 60140 USA
Phone (800) 323-9420 - www.minutemanintl.com
A Member of the Hako Group