

Explosion Proof/
Dust Ignition Proof
Class I Group D
Class II Group F, G

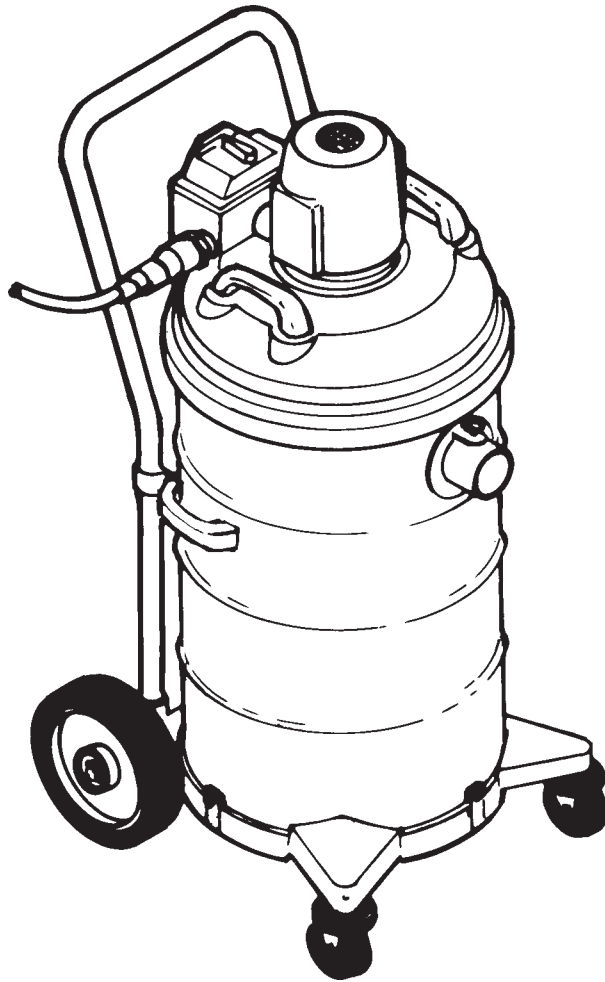
**Model:
C88015-01, 02, 03, 04**

OPERATION

SERVICE

PARTS

CARE



Minuteman[®]

INSPECTION

Carefully unpack and inspect your machine for shipping damage. Each unit is tested and thoroughly inspected before shipment, and any damage is the responsibility of the delivering carrier who should be notified immediately. Read all instructions carefully before operating.

CAUTION

To reduce the risk of ignition of Hazardous Atmospheres. Do not use in Class II, Group F locations that contain electrically conductive dusts.

WARNING

Models C88015-01 and C88015-03 dry pickup only --electric shock could occur if used outdoors or on wet surfaces.

WARNING

Models C88015-02 and C88015-04 wet and dry pickup--to avoid electric shock, use indoors only.

DANGER

This equipment is rated explosion proof and dust ignition proof only in areas listed below:

Class 1, Group D -- Atmospheres containing acetic acid (glacial), acetone, acrylonitrile, ammonia, benzene, butane, 1-butanol (butyl alcohol), 2-butanol (secondary butyl alcohol, n-butyl acetate, isobutyl acetate, sec-butyl alcohol, diisobutylene, ethane, ethanol (ethyl alcohol), ethylacetate, ethyl acrylate (inhibited) ethylene diamine (anhydrous), ethylene dichloride, gasoline, heptanes, hexanes, isoprene, isopropyl ether, mesityl oxide, methane (natural gas), methanol (methyl alcohol), 3-methyl-1-butanol (isoamyl alcohol), methyl ethyl ketone, methyl isobutyl ketone, 2-methyl-1 propanol (isobutyl alcohol), 2-methyl-2-propanol (tertiary butyl alcohol), petroleum naphtha, pyridine, octanes, pentanes, 1-pentanol (amyl alcohol), propane, 1-propanol (propyl alcohol), 2-propanol (isopropyl alcohol), propylene, styrene, toluene, vinyl acetate, vinyl chloride or xylenes.

Group F -- Atmospheres containing carbon black, charcoal, coal or coke dusts which have more than 8 percent total volatile material (carbon black per ASTM D1620, charcoal, coal and coke dusts per ASTM D271) or atmospheres containing these dusts sensitized by other materials so that they present an explosion hazard and having resistivity greater than 10^2 OHM -- centimeter but equal to or less than 10^8 OHM -- centimeter.

Group G --Atmospheres containing flour, starch, or grain or combustible plastics or chemical dusts having resistivity greater than 10^8 OHM -- centimeter.

ELECTRICAL

The machine is designed to operate on 115 volt, 15 amp, 60 hertz AC circuit. This equipment is shipped with approved 3 wire grounded 14-3, 50' STWA power supply cord. No plug is supplied. Plug and wall receptacle should be wired by a qualified electrician in accordance with the National Electrical Code Standards in regard to hazardous locations, i.e. dust and vapor ignition. No extension cords should be used.

IMPORTANT SAFETY INSTRUCTIONS - SAVE THESE INSTRUCTIONS

Read all instructions before using:

1. Do not leave unattended when plugged in. Unplug from outlet when not in use and before servicing.
2. Use only for the intended use as described in this manual.

3. **Do not** operate with damaged cord or plug if equipment is not working properly, has been dropped, damaged, exposed to weather, or completely submerged, return it to Hako Minuteman for examination and repair.
4. Vacuum motor has no user serviceable parts and must be returned to the original equipment manufacturer for repair.
5. Do not pull or carry by supply cord, use cord as handle, close a door on cord, or pull cord around sharp edges or corners. Keep cord away from heated surfaces.
6. Do not disconnect plug by pulling on cord. To disconnect from outlet grasp the plug — not the cord.
7. Do not operate without proper static dissipating dust bag or filters in place, nor assemble any other way than as shown in figures 1 through 4.
8. Do not use any attachment that has been changed in any way from its original design. Use no self-designed tools.
9. All lid and tank latches must be engaged before operation.

H.E.P.A. FILTER MODEL VACUUMS C88015-03 AND C88015-04

Minuteman hazardous-duty critical filter vacuum has been designed to clean up hazardous and toxic dust of all types. A special High Efficiency Particulate Air (H.E.P.A.) filter and a series of “prefilters” used with this vacuum reduce the incidence of airborne dust that would be created by any other method of cleaning.

During the removal of hazardous toxic dust, do not sweep, scoop, shovel or in any manner handle other than vacuuming.

Do not at any time attempt to bypass, remove, substitute or by any other means change the filters recommended for use with this vacuum. Use only approved Hako Minuteman filters and filter bags.

Do not at any time, or in any way, attempt to clean or remove dust particles that may collect or accumulate on the surface of the H.E.P.A. filter media.

Do not reverse or attempt to clean “prefilters” which have accumulated dust for the purpose of reusing them.

Hazardous materials must be disposed of properly. Never throw contaminated debris in your usual trash receptacle. Place debris in a plastic bag or can marked “HAZARDOUS MATERIALS” and take to a hazardous waste handler.

ASSEMBLY PROCEDURE FOR MODEL C88015-01 DRY ONLY

Follow assembly sequence as shown on page 4, figure 1:

1. Insert cloth filter bag (2), part #800251, into tank (3) using the formed rubber gasket to center it.
2. Place lid assembly (1), part #800250, on top of tank assembly (3) and secure in place by tank lid latches.
3. Insert metal end of grounded neoprene hose, part #800276, into hose intake on tank and tighten thumb screw to secure.
4. Attach tools desired as supplied on page 16.
5. Plug power supply cable into proper electrical outlet. You are now ready to pick up dry materials only. Reverse procedures above to empty.

ASSEMBLY PROCEDURE FOR MODEL C88015-03 DRY ONLY WITH H.E.P.A. FILTER

Follow assembly sequence as shown on page 4, figure 2:

1. Insert cloth filter bag (4), part #800251, into tank (5) using the formed rubber gasket to center it.
2. Place manometer ring (3) on top of tank assembly (5) and engage tank latches.
3. Place H.E.P.A. filter module (2) on top of tank assembly followed by lid assembly (1) and engage latches.
4. Insert metal end of grounded neoprene hose, part #800276, into hose intake on tank and tighten thumb screw to secure.
5. Attach tools desired as supplied on page 16.
6. Plug power supply cable into proper electrical outlet. You are now ready to pick up hazardous/toxic dry materials only.

Manometer ring assembly (3) will indicate when filters need cleaning or changing. Scale on gauge indicates performance.

PROCEDURE FOR REMOVING CONTAMINATED FILTER AND FOR CLEANING OF CONTAMINATED TANK OF MODEL C88015-03 DRY ONLY WITH H.E.P.A. FILTER

For the protection of your health, always wear the proper approved or required face mask, gloves and clothing as specified by your Safety Department for your particular application.

1. Unplug machine from power source.
2. Remove vacuum lid/motor assembly with H.E.P.A. filter.
3. Remove prefilter (1), page 9, and place in proper hazardous waste disposal container.
4. Gently remove the cloth filter bag assembly; recommended method of cleaning is by vacuuming with another H.E.P.A. vacuum.
5. Dispose of debris in tank assembly.

CAUTION: Hazardous materials, including disposable filters and pre-filters, must be disposed of properly. Never throw contaminated debris in your usual trash receptacle. Place debris in proper containers as recommended by your Safety Department.

All vacuum units should be properly tagged or labeled "HAZARDOUS MATERIAL" and should only be used by authorized, trained personnel.

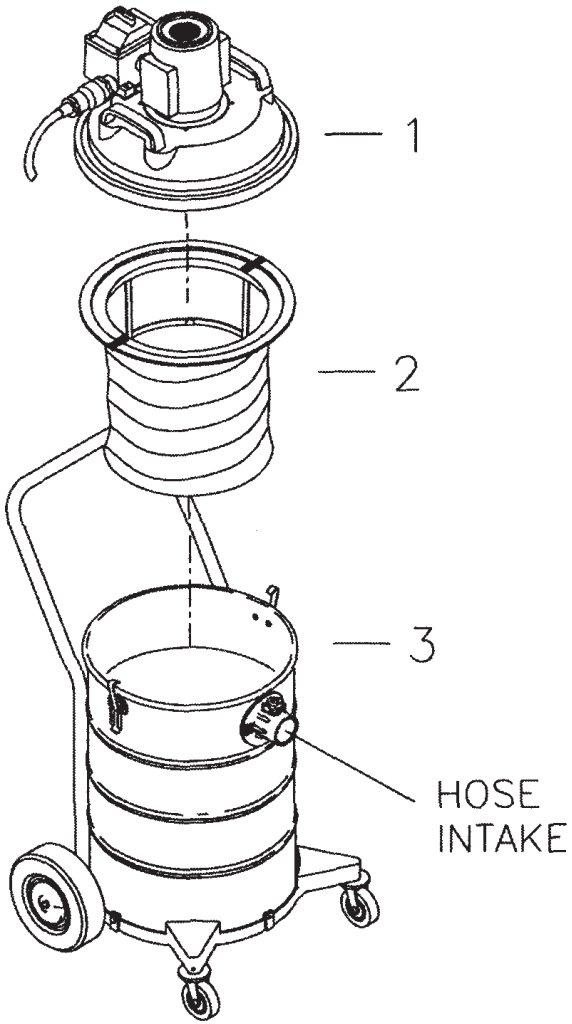


FIG. 1

C88015-01

DRY ONLY

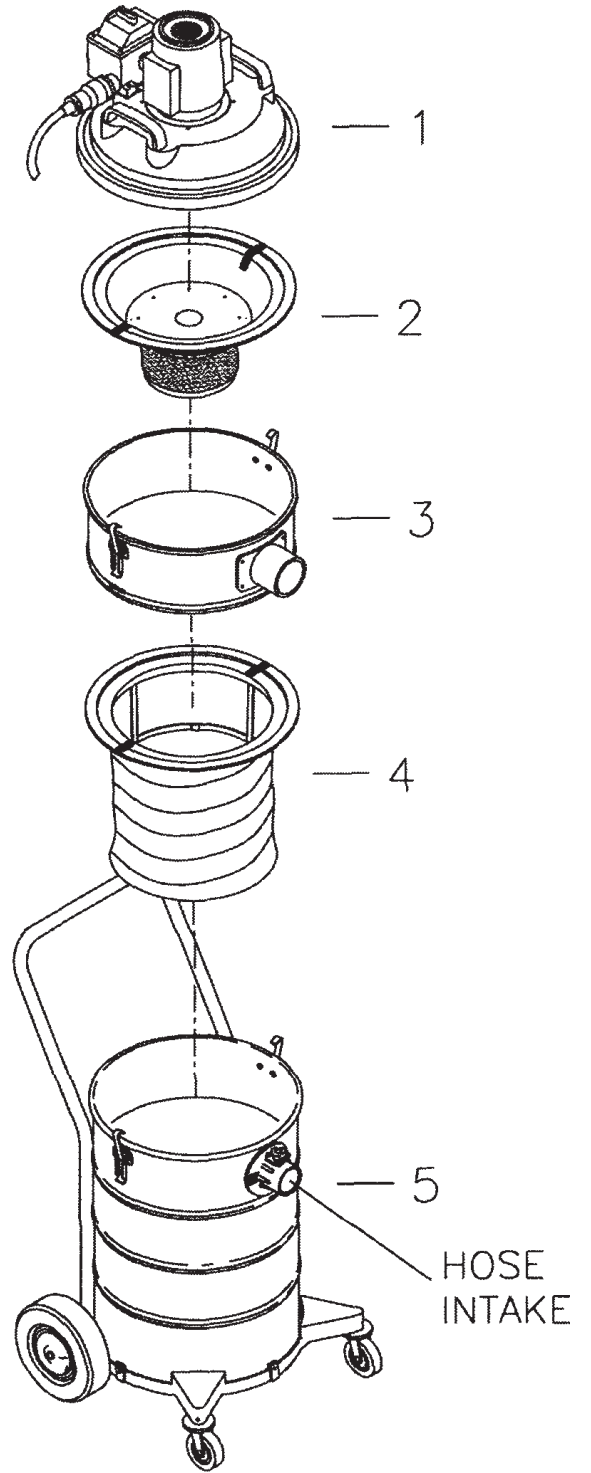


FIG. 2

C88015-03

ASSEMBLY PROCEDURE

Model C88015-02 wet vacuuming only when used for recovery of liquid hazardous materials
(See schematic page 6, fig. 3)

1. Install liquid shut-off assembly (4) into tank assembly centering rubber gasket around rim of tank.
2. Place 1-to-1 adaptor (3) onto tank, center and snap lid latches into place.
3. Place the cloth filter bag (2) onto and into the adaptor using the formed rubber gasket to center it.
4. Position the vacuum lid assembly (1) onto the adaptor making sure that the lid is seated onto the rubber ring of the cloth bag frame completely around the tank. Snap lid latches into place. Liquid shut-off will activate at approximately the 8 gallon level, choking off vacuum.
5. Insert metal end of grounded neoprene hose, part #800276, into hose intake on tank and tighten thumb screw to secure.
6. Attach tools as desired as supplied on page 15.
7. Plug power supply cable in proper electrical outlet. You are now ready to pick up hazardous wet materials.

PROCEDURE FOR EMPTYING TANK

1. Unplug machine from power source.
2. Remove the vacuum lid assembly and place on work table(1).
3. Remove and inspect cloth filter bag for moisture. If bag is wet, allow to dry before reusing or replace with clean, dry filter bag (2).
4. Remove 1-to-1 adaptor (3).
5. Remove shut-off assembly (4).
6. Dispose of liquid waste in accordance with required procedures.
7. If tank assembly is elevated above container receiving waste, tilt tank on rear wheels by lowering carriage handle and dump waste into receiving container.

ASSEMBLY PROCEDURE

Model C88015-04 wet vacuuming only when used for recovery of liquid hazardous/toxic materials
(See schematic page 6, fig. 4)

1. Install liquid shut-off assembly (6) into tank assembly centering rubber gasket around rim of tank.
2. Place 1-to-1 adaptor (5) onto tank, center and snap lid latches into place.
3. Place the cloth filter bag (4) onto and into the adaptor using the formed rubber gasket to center it.
4. Place manometer ring (3) on tank assembly and snap lid latches in place.
5. Place H.E.P.A. filter module (2) on tank, center rubber gasket around rim as shown.
6. Position the vacuum lid assembly (1) onto the adaptor making sure that the lid is seated onto the rubber ring of the cloth bag frame completely around the tank. Snap lid latches into place. Liquid shut-off will activate at approximately the 8 gallon level, choking off vacuum.
7. Insert metal end of grounded neoprene hose, part #800276, into hose intake on tank and tighten thumb screw to secure.
8. Attach tool as desired as supplied on page 15.
9. Plug power supply cable into proper electrical outlet. You are now ready to pick up hazardous/toxic wet materials.

PROCEDURE FOR REMOVING CONTAMINATED FILTER AND FOR CLEANING OF CONTAMINATED TANK

Model C88015-04 when used for recovery of hazardous or toxic materials

For the protection of your health, always wear the proper approved or required face mask, gloves and clothing as specified by your Safety Department for your particular application.

1. Unplug machine from power source.
2. Remove vacuum lid/motor assembly with H.E.P.A. filter.
3. Remove prefilter (1), page 9, and place in proper hazardous waste disposal container.
4. Gently remove the cloth filter bag assembly; recommended method of cleaning is by vacuuming with another H.E.P.A. vacuum.
5. Remove float assembly (6), fig. 4.
6. Dispose of debris in tank assembly.

CAUTION: Hazardous materials, including disposable filters and prefilters, must be disposed of properly. Never throw contaminated debris in your usual trash receptacle. Place debris in proper containers as recommended by your Safety Department.

All vacuum units should be properly tagged or labeled "HAZARDOUS MATERIAL" and should only be used by authorized, trained personnel.

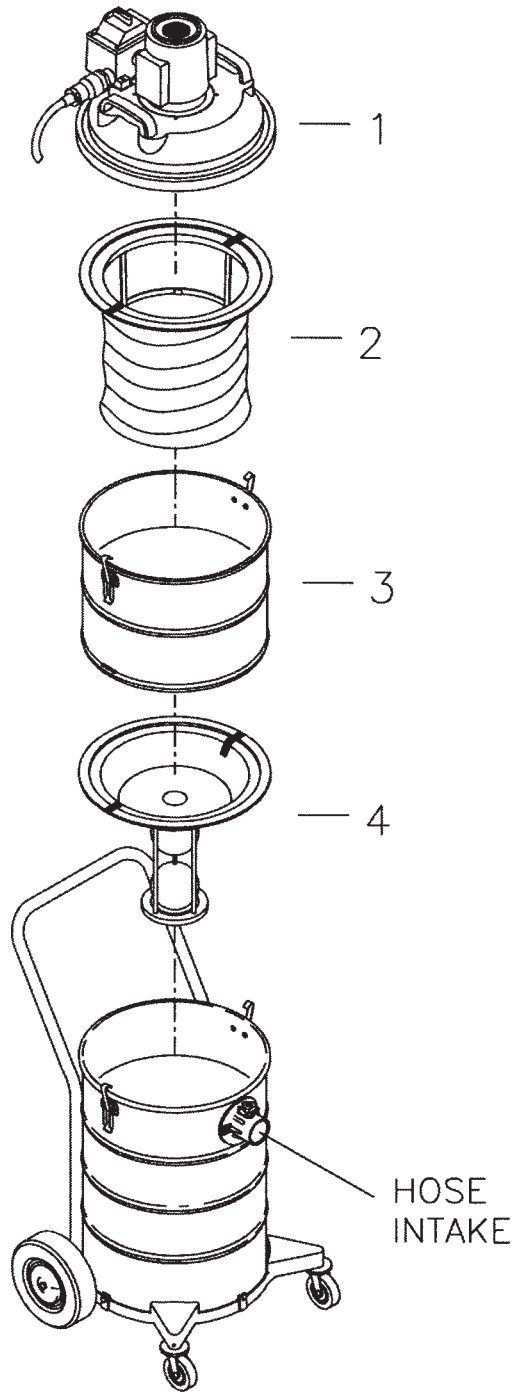


FIG. 3

C88015-02

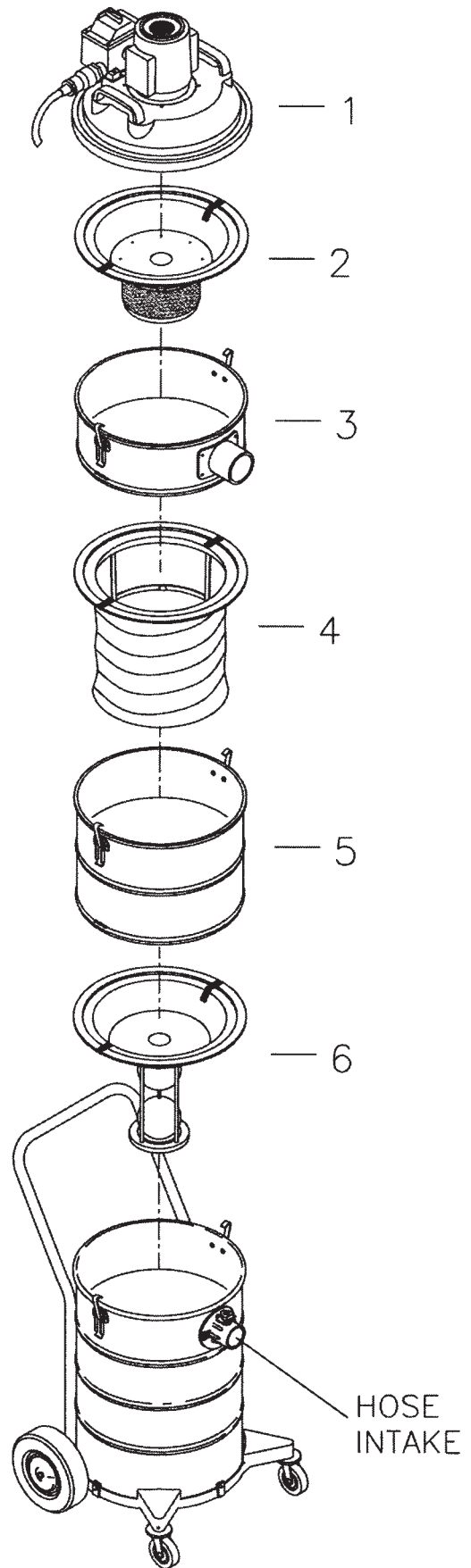
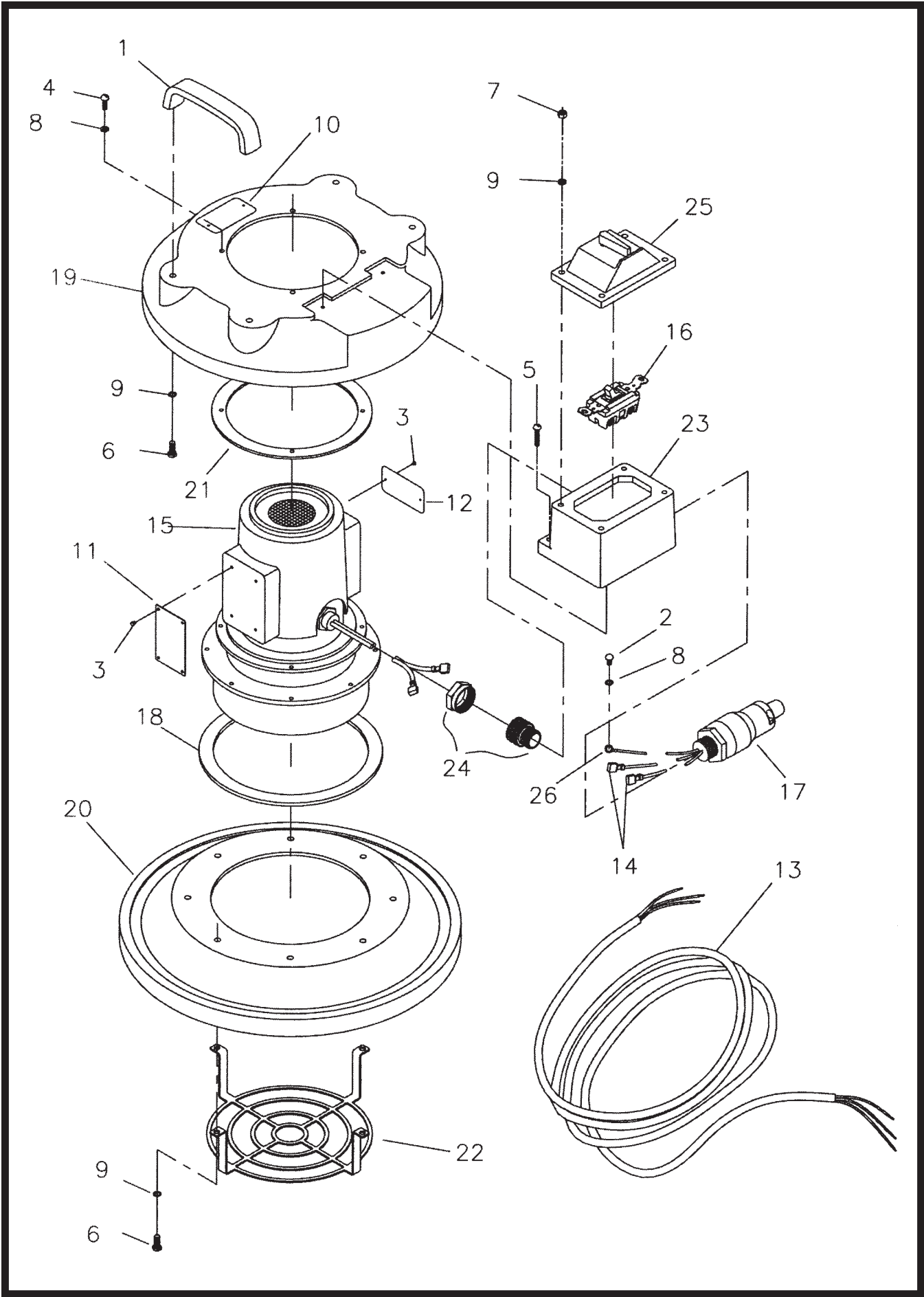


FIG. 4

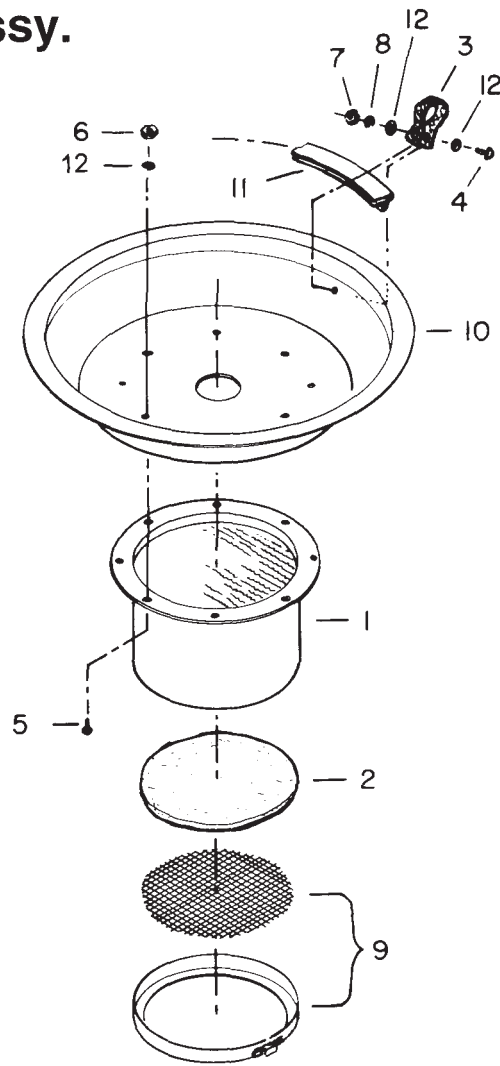
C88015-04

WET & DRY

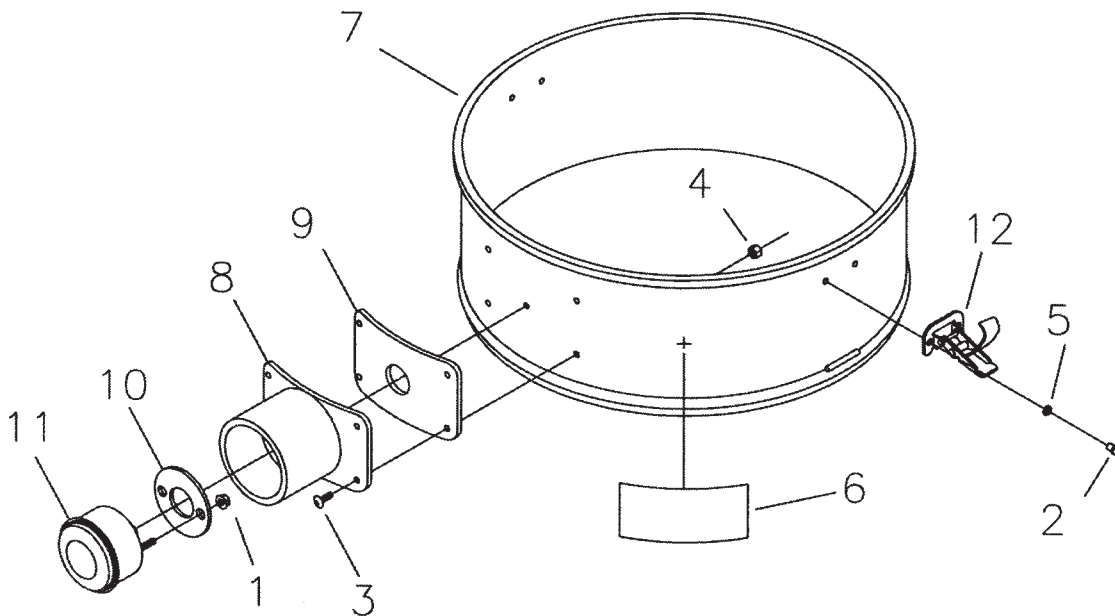


ITEM	PART NO.	REQ'D	DESCRIPTION
1	130040POL	2	HANDLE POLISHED
2	710253	1	SCR-MC 10-32 X 37 ZINC
3	711901	10	RIVET-POP .09 X .12 AL
4	712530	4	SCR-MC 10-24 X .62 SS
5	712546	2	SCR-MC 10-32 X 1 SS
6	712562	10	BLT-HH 1/4-20 X .75 SS
7	712564	4	BLT-HH 1/4-20 X 1.00 SS
8	712757	5	WSR-HELICAL #10 SS
9	712758	16	WSR-HELICAL 1/4 SS
10	715101	1	DECAL-NAME PLATE EXPROFF ALM
11	715110	1	DECAL-WARNING EXPROOF
12	715116	1	DECAL-CAUTION GROUP F
13	740037	1	CORD-14GA-3 51FT MED GREY
14	740095	1	SPADE 10-12G FULL INS #8
15	740212	1	MOTOR-VAC EXP 120V 114560
16	740213	1	SWITCH-20A EXP PROOF
17	740214	1	CORD CONN EXP-PROOF
18	762141	1	GASKET, 7.50X8.87X.19
19	800245POL	1	LID-MOTOR TOP POLISHED
20	800246POL	1	LID-MOTOR BOTTOM POLISHED
21	800248	1	GASKET 6.38 X 7.74 X 12
22	800249	1	WIRE GUARD, MOTOR
23	800259MCH	1	SWITCH BOX EXP MACH
24	800260	1	50 UNION EXP-PROOF
25	800261	1	LID AND SWITCH ASSY, EXPPROOF
26	800875	1	RING-10-12G NON INS #10
***	800250		EXP LID ASY 115V

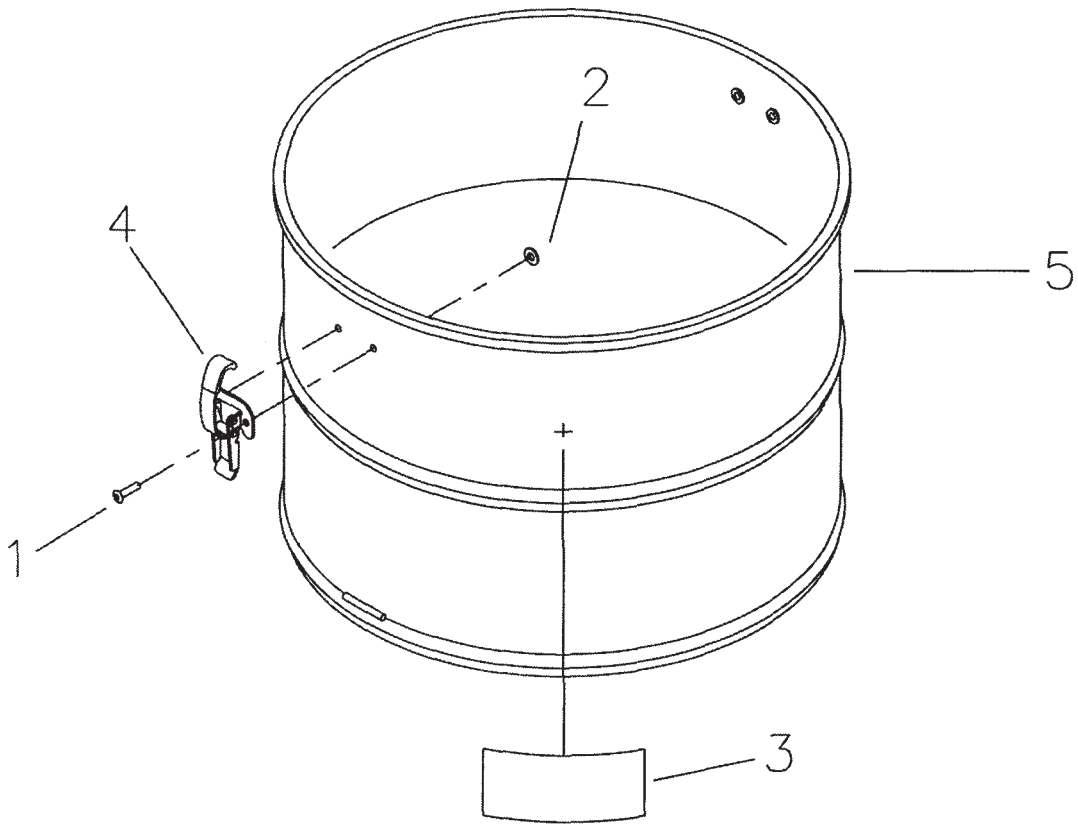
H.E.P.A. Filter Assy.



BILL OF MATERIAL - 800266			
Item	Part No	Req'd	Description
1	110040	1	HEPA Filter SM Round
2	110121PKG	1	Impact Filter 6.00 Dia.
3	740401	2	Wire, Braided Ground Strap
4	712537	2	SCR-MC 10-24 x .62 SS
5	712537	8	SCR-MC 10-24 x .62 SS
6	712638	8	Nut-Hex 10-24 SS Nyloc
7	712635	2	Nut-Hex 10-24 SS
8	712757	2	WSR-Helical #10 SS
9	750006	1	Retainer Impact Assy. Comp.
10	800265	1	HEPA Plate Exp-Proof
11	800273	1	Gasket, Bag Ring Exp.
12	712764	12	WSR-Flat #10 SS

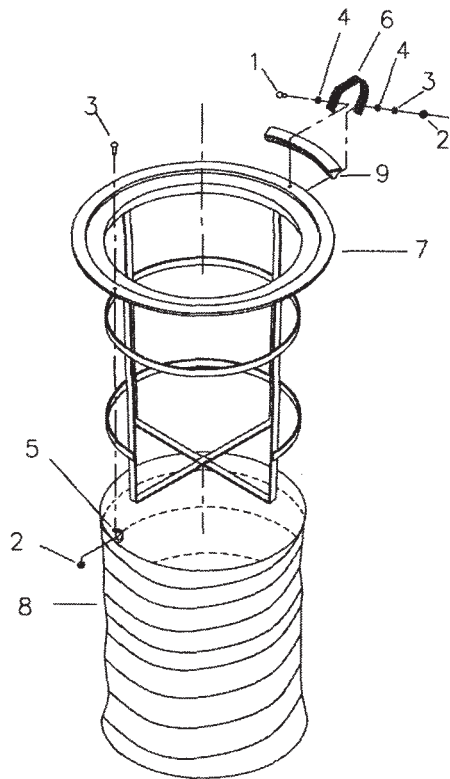


ITEM	PART NO.	REQ'D	DESCRIPTION
1	711427	2	NUT-FLANGED WIZZ 10-32
2	711921	4	RIVET-TUBE .19 X .28 AL
3	712536	4	SCR-MC 10-24 X .62 SS
4	712638	4	NUT HEX 10-24 SS NYLOC
5	712764	4	WSR #10 SS
6	715077	1	DECAL-MANOMETER INS.
7	760096MCH	1	MANOMETER RING S/S
8	760106MCH	1	CASTING GAUGE MOUNT
9	760107	1	GASKET DIECUT SQUARE
10	760108	1	GASKET DIE CUT ROUND
11	760109	1	GAUGE-MANOMETER 0-100
12	800274	2	LATCH ASSY-TANK EXP
***	800275		MANORING SS W/SS LATCHES



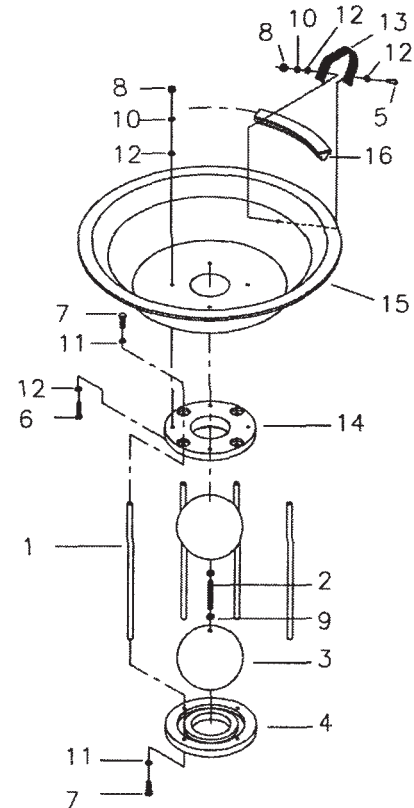
ITEM	PART NO.	REQ'D	DESCRIPTION
1	711921	4	RIVET-TUBE .19 X .28 AL
2	712764	4	WSR #10 SS
3	715383	1	DECAL-MMAN 1 X 6.88 LT GRY
4	800274	1	LATCH ASSY-TANK EXP
5	761188POL	1	ADAPTER 1:1 SS POLISHED
***	800278		ADAPTER RING S/S ASY

Conductive Cloth Bag Assembly 800251

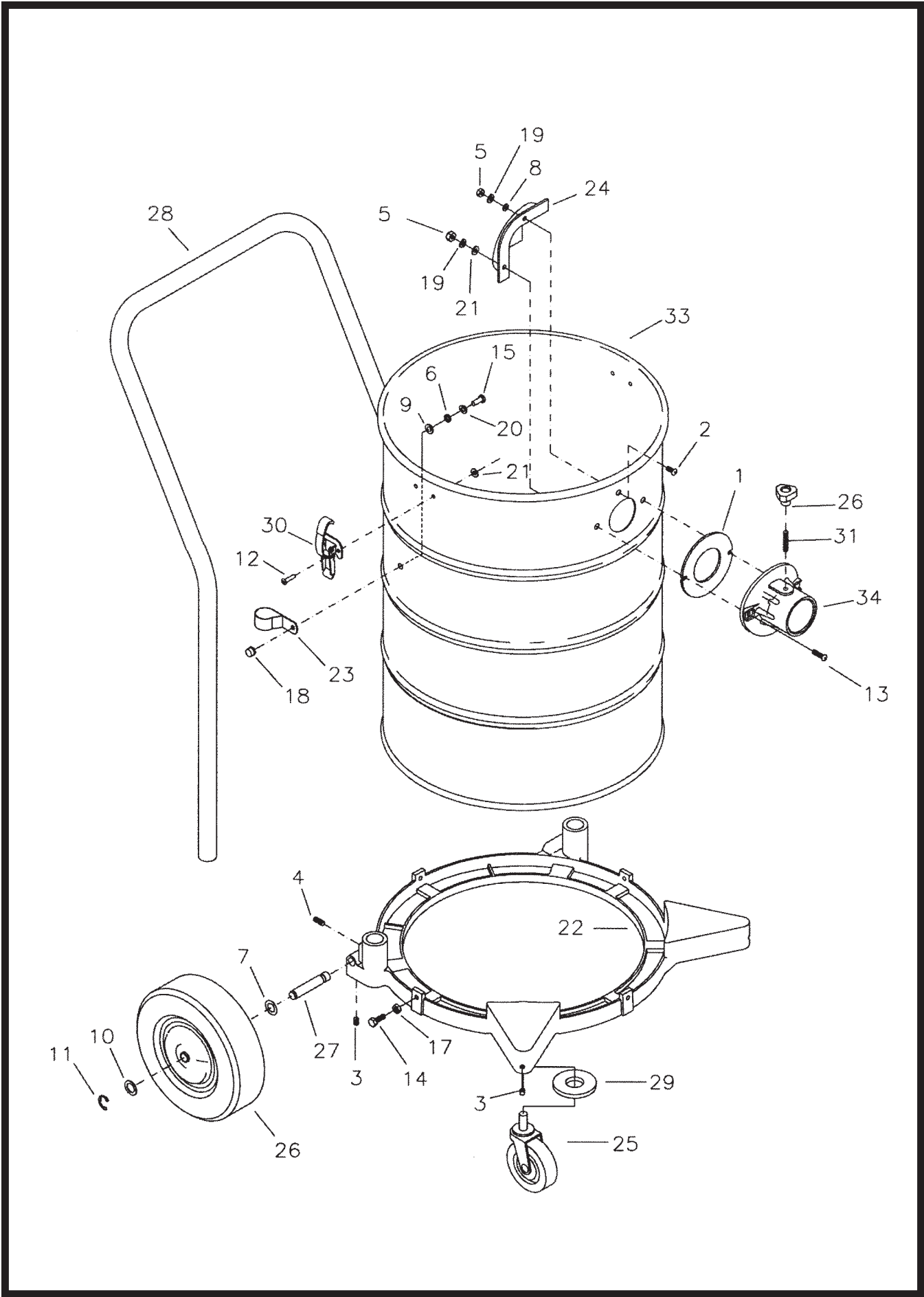


ITEM	PART NO.	REQ'D	DESCRIPTION
1	712530	2	SCR-MC 10-24 X .62 SS
2	712635	2	NUT-HEX 10-24 SS
3	712757	2	WSR-HELICAL #10 SS
4	712764	4	WSR #10 SS
5	740010	1	RING-10 14-16G FULL INSULATE
6	740401	2	GROUNDING STRAP EXPROOF
7	750054	1	WELDMNT BAG FRAME EXP
8	800252	1	BAG, CLOTH CONDUCTIVE
9	800273	1	GASKET, BAG RING EXP
***	800251		COND BAG ASY COMP EXP

Float Assembly Complete 800263

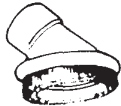


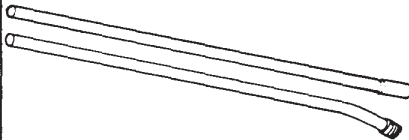



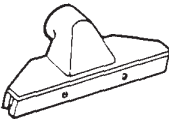
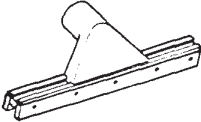
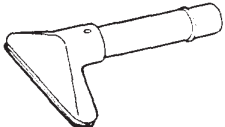
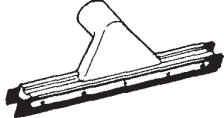


ITEM	PART NO.	REQ'D	DESCRIPTION
1	701012	4	ROD, SPACER
2	701013	1	STUD
3	701016	2	BALL, FLOAT 4 DIA
4	701041	1	PLATE, END CAP WATER SHUT
5	712530	1	SCR-MC 10-24 X .62 SS
6	712532	4	SCR-MC 10-24 X 1.00 SS
7	712562	8	BLT-HH 1/4-20 X .75 SS
8	712635	1	NUT-HEX 10-24 SS
9	712665	2	NUT-HEX 1/4-20 SS
10	712757	6	WSR-HELICAL #10 SS
11	712758	8	WSR-HELICAL 1/4 SS
12	712764	6	WSR #10 SS
13	740401	2	GROUNDING STRAP EXPROOF
14	750049	1	PLATE & TUBE ASY EXP
15	800264	1	SHUT-OFF PLATE EXP-PROOF
16	800273	1	GASKET, BAG RING EXP
***	800263		FLOAT ASY EXP-PROOF




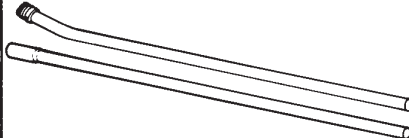
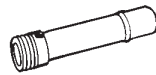


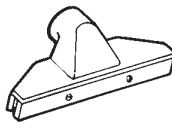
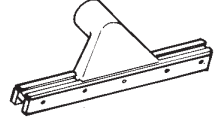
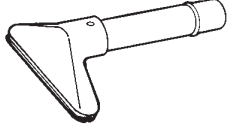


ITEM	PART NO.	REQ'D	DESCRIPTION
1	390087	1	GASKET DIECUT VNN
2	710530	1	SCR-MC 8-32 X .50 BRS
3	711005	4	SK 1/4-20 X .31
4	711006	2	SK 1/4-20 X .62
5	711305	1	NUT-HEX 8-32 BRS
6	711504	4	WSR-FLT 1/4 SS
7	711524	2	WSR-WAVE .52 X .87 X .01
8	711571	1	WSR-FLT #8 BRS
9	711591	2	WSR-RUBBER
10	711594	2	WSR-FLT .56 X .88 X .03 NICKEL
11	711713	2	RET RING-E EXT .50
12	711921	4	RIVET-TUBE .19 X .28 AL
13	712545	2	SCR-MC 10-32 X .87 SS
14	712562	4	BLT-HH 1/4-20 X .75 SS
15	712565	2	SCR-MC 1/4-20 X .62 SS
16	712636	2	NUT-HEX 10-32 SS
17	712665	4	NUT-HEX 1/4-20 SS
18	712667	2	NUT-HEX NYLOC 1/4-20 SS
19	712757	3	WSR-HELICAL #10 SS
20	712758	4	WSR-HELICAL 1/4 SS
21	712764	6	WSR #10 SS
22	760984POL	1	WHEEL BRACKET
23	800247	2	HANDLE CLIP SS
24	800253MCH	1	DEFLECTOR INTAKE MACH
25	800254	2	CASTER-SWIVEL CONDUCTIVE
26	800255	2	WHEEL-8 X 1.62 X .50 CONDUCTIVE
27	800257	2	AXLE SS .50 X 3.19
28	800258	1	HANDLE, TANK SS
29	800262	2	WHEEL GUARD .5 X 2.37 X .25
30	800274	2	LATCH ASSY-TANK EXP
31	800281	1	STUD 1/4-20 EXP
32	833214	1	KNOB-3 SIDED 1/4 20 INSERT
33	900003POL	1	TANK 15GSS POLISHED
34	900112	1	INTAKE MCH
***	800256		TANK ASY 15GSS EXP PROOF

Tool Kit Explosion Proof Wet/Dry 800271

A		800022 800023 800175MCH	5" Rd Dust Brsh, Alum, Complete Bristle Insert 5" Dust Brush HSG
B		800034	24" Crev Tool Aluminum, Complete
C		800267	Exp-Proof Wand Asy 1-1/2, Complete
D		800268 800064 800269	Set Tube, High-up 10' Exp, Complete 5' Tube Lower Section 5' Section Upper Exp-Proof
E		800270	Swivel, Hose End Exp, Complete
F		800276	Hose Neo Grd Asy 1.5 x 12, Complete
G		800285 712562 712758 800033 800193POL	6" Curved Pipe Tool, Complete BLT-HH 1/4-20x.75 SS WSR-Helical 1/4 SS Bristl Insrt Curvd 6" 6" Curved Pipe Tool
H		800286 712545 712764 800187 800217 800218	12" Gulper Tool Ex Proof, Complete SCR-MC 10-32x.87 SS WSR-Flat #10 SS Gulper Nozzle Fibre Shoe Rear Fibre Shoe Front
I		800287 710530 800003MCH 800178MCH	14" Fibre Tool Complete Screw 8/32 x 1/2 Brass Fibre Shod Tool Casting
J		800288	6" Tool W/Handle Tube, Complete
K		800280 712516 800121 800178MCH 800239 800240	14" Squeege Ex Prof, Complete SCR-SC 8-32x.62 SS 14" Retaining Strip Casting, Tool MCH Blade Squeege Wide Blade Squeege Narrow

Tool Kit Explosion Proof Dry Only 800272

A		800022 800023 800175MCH	5" Rd Dust Brsh, Alum, Complete Bristle Insert 5" Dust Brush HSG
B		800034	24" Crev Tool Aluminum, Complete
C		800267	Exp-Proof Wand Asy 1-1/2, Complete
D		800268 800064 800269	Set Tube, High-up 10' Exp, Complete 5' Tube Lower Section 5' Section Upper Exp-Proof
E		800270	Swivel, Hose End Exp, Complete
F		800276	Hose Neo Grd Asy 1.5 x 12', Complete
G		800285 712562 712758 800033 800193POL	6" Curved Pipe Tool, Complete BLT-HH 1/4-20x.75 SS WSR-Helical 1/4 SS Bristl Insrt Curvd 6' 6" Curved Pipe Tool
H		800286 712545 712764 800187 800217 800218	12" Gulper Tool Ex Proof, Complete SCR-MC 10-32x.87 SS WSR-Flat #10 SS Gulper Nozzle Fibre Shoe Rear Fibre Shoe Front
I		800287 710530 800003MCH 800178MCH	14" Fibre Tool Complete Screw 8/32 x 1/2 Brass Fibre Shod Tool Casting
J		800288	6" Tool W/Handle Tube, Complete

Minuteman International Made Simple Commercial Limited Warranty



REVISION F
EFFECTIVE 6/1/2009

Minuteman International, Inc. warrants to the original purchaser/user that the product is free from defects in workmanship and materials under normal use. Minuteman will, at its option, repair or replace without charge, parts that fail under normal use and service when operated and maintained in accordance with the applicable operation and instruction manuals. All warranty claims must be submitted through and approved by factory authorized repair stations.

This warranty does not apply to normal wear, or to items whose life is dependent on their use and care, such as belts, cords, switches, hoses, rubber parts, electrical motor components or adjustments. Parts manufactured by Minuteman are covered by and subject to the warranties and/or guarantees of their manufacturers. Please contact Minuteman for procedures in warranty claims against these manufacturers.

Special warning to purchaser — Use of replacement filters and/or prefilters not manufactured by Minuteman or its designated licensees, will void all warranties expressed or implied. A potential health hazard exists without original equipment replacement.

All warranted items become the sole property of Minuteman or its original manufacturer, whichever the case may be.

Minuteman disclaims any implied warranty, including the warranty of merchantability and the warranty of fitness for a particular purpose. Minuteman assumes no responsibility for any special, incidental or consequential damages.

This limited warranty is applicable only in the U.S.A. and Canada, and is extended only to the original user/purchaser of this product. Customers outside the U.S.A. and Canada should contact their local distributor for export warranty policies. Minuteman is not responsible for costs or repairs performed by persons other than those specifically authorized by Minuteman. This warranty does not apply to damage from transportation, alterations by unauthorized persons, misuse or abuse of the equipment, use of non-compatible chemicals, or damage to property, or loss of income due to malfunctions of the product.

If a difficulty develops with this machine, you should contact the dealer from whom it was purchased.

This warranty gives you specific legal rights, and you may have other rights which vary from state to state. Some states do not allow the exclusion or limitation of special, incidental or consequential damages, or limitations on how long an implied warranty lasts, so the above exclusions and limitations may not apply to you.

Cord Electric Group: Three years parts, two years labor, ninety days travel (Not to exceed two hours)

Exceptions.....

Model	Parts	Labor	Poly	Travel
Port A Scrub	1yr	6months	10yrs	0
MPV 13	1yr	0	0	0
MPV 14 & 18	2yrs	1yr	0	0
V Series Upright Vacuums	1yr	1yr	0	0
Rapid Air Blower	1yr	1yr	10yrs	0
Explosion Proof Vacuum	1yr	1yr	0	0
X12, X12H & TRS 14	1yr	1yr	10yrs	0
E17 & E20 Electric Scrubbers	1yr	6month	10yrs	0
Pneumatic Vacuums	3yr	1yr	0	0

Description	Parts	Labor	Poly	Travel
Battery Operated Group	3yrs	2yrs	10	90 days
Sweepers	1yr	1yr	10	90 days
Internal Combustion Group	1yr	1yr	10	90 days

Not to exceed two hours

Exception: PAS 14B **1yr** **1yr** **10yr** **0**

Battery Chargers: **One year replacement**
Replacement Parts: Ninety days
Batteries: 0-3 months replacement, 4-12 months pro-rate
Polyethylene Plastic Tanks: Tanks have 10yr warranty, no additional labor